

MAX-8

V2107.02



MAX-8

Excellent Performances & Reliability

CPCD15-35T8

CPQD30-35T8

T8 series 1.5-3.5t forklift

EP EQUIPMENT CO.,LTD
www.ep-ep.com



CPCD15/18T8

T8 series 1.5-1.8t forklift specification

		EP	
		CPCD15T8-S4Q2	CPCD18T8-S4Q2
		Diesel	Diesel
General	1 Manufacture		
	2 Model		CPCD18T8-NB485BPG
	3 Power type	Diesel	Diesel
	4 Rated capacity	1500 1800	1500 1800
	5 Load center	500	500
	6 Lift height	3000	3000
	7 Free lift height	120 120	120 120
Characteristics & Dimensions	8 Fork size	920×100×40	920×100×40
	9 Mast tilt range	6/12	6/12
	10 Fork overhang(wheel center to fork face)	420	420
	11 Rear overhang	420	420
	12 Length to face of fork	2270	2320
	13 Overall width	1080	1080
	14 Mast lowered height	1985	1985
	15 Mast extended height	3960	3960
	16 Overhead guard height	2070	2070
	17 Turning radius(outside)	1995	2035
Performance	18 Min right angle stacking aisle width (Add load length and clearance)	2400	2440
	19 Travel (No load)	14	14
	20 Speed	460	460
	21 Lifting (Full load)	460	450
	22 Lowering (Full load)	450	450
	23 Max.Drawbar Pull (Full load)	14300	14800
	24 Max.Gradeability (Full load)	20	20
	25 Tyres	6.50-10-10PR 5.00-8-10PR	6.50-10-10PR 5.00-8-10PR
	26 Tread	920	920
	Chassis	27 Wheelbase	920
28 Ground clearance		1430	1430
29 Wheelbase		110	110
30 Ground clearance		140	140
31 Self weight		2700	2900
32 Full load		3570	3995
Weight	33 Weight	630	705
	34 Distribution	1215	1305
	35 No load	1485	1595
	36 Voltage/Capacity(20HR)	12/60	12/60
	37 Model	S4Q2	S4Q2
	38 Manufacture	Mitsubishi	Mitsubishi
Power & transmission	39 Rated output/r.p.m	32.9/2500	32.9/2500
	40 Rated torque/r.p.m	135/2000	135/2000
	41 No.of cylinder	4	4
	42 Bore×Stroke	88×103	88×103
	43 Displacement	2505	2270
	44 Fuel tank capacity	50	50
	45 Manufacture	OEM	OEM
	46 Transmissions	Powershift	Powershift
	47 Stage	1/1	1/1
	48 Operating pressure	15	15

1.Special lifting height available (2-stage mast :2.5m,2.7m,3.0m,3.3m,3.5m,3.6m,3.7m,4m,4.3m,4.5m,5m. Full Free Duplex Mast 3.0m,3.3m,3.5m,3.6m. 3-stage mast : 4.3m,4.5m,4.8m,5m,5.5m,6m)
 2.Attachment available. 3.The specification in the table are for standard models only.For further information please contact us. 4.Specification are subject to change without notice.

CPCD20/25T8

T8 series 2.0-2.5t forklift specification

General		EP									
		CPCD2018-S4S	CPCD2018-C490	CPCD2018-C240	CPCD2018-TD27	CPCD2518-C490	CPCD2518-S4S	CPCD2518-C240	CPCD2518-TD27	CPCD2518-GK25	
1	Manufacture										
2	Model										
3	Power type	Diesel									
4	Rated capacity	2000									
5	Load center	500									
6	Lift height	3000									
7	Free lift height	120									
8	Fork size	1070×120×40									
9	Mast tilt range	6/12									
10	Fork overhang (Wheel center to fork face)	476									
11	Rear overhang	485									
12	Length to face of fork	2610									
13	Overall width	1150									
14	Mast lowered height	2050									
15	Mast extended height	4200									
16	Overhead guard height	2130									
17	Turning radius(outside)	2170									
18	Min.right angle stacking aisle width (Add load length and clearance)	2880									
19	Travel (No load)	20									
20	Speed	450									
21	Lifting (Full load)	450									
22	Lowering (Full load)	450									
23	Max.Drawbar Pull (Full load)	14300									
24	Max.Gradeability (Full load)	20									
25	Tyres	7.00-12-12PR									
26	Tread	970									
27	Wheelbase	1600									
28	Ground clearance	120									
29	Wheelbase	120									
30	Wheelbase	120									
31	Self weight	3580									
32	Weight	4856									
33	Distribution	Front									
34	Weight	724									
35	Distribution	Front									
36	Battery	Voltage/Capacity(20HR)									
37	Modal	S4S-DPEU2									
38	Manufacture	Mitsubishi									
39	Rated output/p.p.m	35.3/2250									
40	Rated torque/p.p.m	177/1700									
41	Engine	No.of cylinder									
42	BoerxStroke	94×120									
43	Displacement	3331									
44	Fuel tank capacity	60									
45	Manufacture	OEM									
46	Transmissions	Powershift									
47	Stage	1/1									
48	Operating pressure	17.5									

Performance		EP									
		CPCD2018-S4S	CPCD2018-C490	CPCD2018-C240	CPCD2018-TD27	CPCD2518-C490	CPCD2518-S4S	CPCD2518-C240	CPCD2518-TD27	CPCD2518-GK25	
24	Tyres	7.00-12-12PR									
25	Tread	970									
26	Wheelbase	1600									
27	Ground clearance	120									
28	Wheelbase	120									
29	Wheelbase	120									
30	Self weight	3580									
31	Weight	4856									
32	Distribution	Front									
33	Weight	724									
34	Distribution	Front									
35	Battery	Voltage/Capacity(20HR)									
36	Modal	S4S-DPEU2									
37	Manufacture	Mitsubishi									
38	Rated output/p.p.m	35.3/2250									
39	Rated torque/p.p.m	177/1700									
40	Engine	No.of cylinder									
41	BoerxStroke	94×120									
42	Displacement	3331									
43	Fuel tank capacity	60									
44	Manufacture	OEM									
45	Transmissions	Powershift									
46	Stage	1/1									
47	Operating pressure	17.5									

Power & transmission		EP									
		CPCD2018-S4S	CPCD2018-C490	CPCD2018-C240	CPCD2018-TD27	CPCD2518-C490	CPCD2518-S4S	CPCD2518-C240	CPCD2518-TD27	CPCD2518-GK25	
31	Self weight	3580									
32	Weight	4856									
33	Distribution	Front									
34	Weight	724									
35	Distribution	Front									
36	Battery	Voltage/Capacity(20HR)									
37	Modal	S4S-DPEU2									
38	Manufacture	Mitsubishi									
39	Rated output/p.p.m	35.3/2250									
40	Rated torque/p.p.m	177/1700									
41	Engine	No.of cylinder									
42	BoerxStroke	94×120									
43	Displacement	3331									
44	Fuel tank capacity	60									
45	Manufacture	OEM									
46	Transmissions	Powershift									
47	Stage	1/1									
48	Operating pressure	17.5									

1.Special lifting height available (2-stage mast :2.5m,2.7m,3.0m,3.3m,3.5m,3.7m,4m,4.3m,4.5m,5m. Full Free Duplex Mast 3.0m,3.3m,3.5m,3.6m. 3-stage mast : 4.3m,4.5m,4.8m,5m,5.5m,6m)
 2.Attachment available. 3. The specification in the table are for standard models only.For further information please contact us. 4.Specification are subject to change without notice.

CPC(Q)D30/35T8

T8 series 3.0-3.5t forklift specification

General		EP													
		CPCD30T8-S4S	CPCD30T8-C490	CPCD30T8-A498	CPCD30T8-C240	CPD30T8-TD27	CPD30T8-GK25	CPCD35T8-S4S	CPCD35T8-A498	CPD35T8-TD27	CPD35T8-GK25	CPCD35T8-S4S	CPCD35T8-A498	CPD35T8-TD27	CPD35T8-GK25
1	Manufacture														
2	Model														
3	Power type														
4	Rated capacity	Diesel	3000	3000	3000	3000	3000	3000	3000	3000	3000	3500	3500	3500	3000
5	Load center	mm	500	500	500	500	500	500	500	500	500	500	500	500	500
6	Lift height	mm	3000	3000	3000	3000	3000	3000	3000	3000	3000	3000	3000	3000	3000
7	Free lift height	mm	120	120	120	120	120	120	120	120	120	120	120	120	120
8	Fork size	L×W×T	1070×125×45	1070×125×45	1070×125×45	1070×125×45	1070×125×45	1070×125×45	1070×125×45	1070×125×45	1070×125×45	1070×125×50	1070×125×50	1070×125×50	1070×125×50
9	Max tilt range	deg	612	612	612	612	612	612	612	612	612	612	612	612	612
10	Fork overhang(wheel center to fork face)	F/R	481	481	481	481	481	481	481	481	481	486	486	486	481
11	Rear overhang	mm	590	590	590	590	590	590	590	590	590	590	590	590	590
12	Length to face of fork	mm	2762	2762	2762	2762	2762	2762	2762	2762	2762	2822	2822	2822	2822
13	Overall width	mm	1200	1200	1200	1200	1200	1200	1200	1200	1200	1200	1200	1200	1200
14	Overall dimensions	mm	2070	2070	2070	2070	2070	2070	2070	2070	2070	2070	2070	2070	2070
15	Master lowered height	mm	4210	4210	4210	4210	4210	4210	4210	4210	4210	4210	4210	4210	4210
16	Master extended height	mm	2180	2180	2180	2180	2180	2180	2180	2180	2180	2180	2180	2180	2180
17	Overhead guard height	mm	2450	2450	2450	2450	2450	2450	2450	2450	2450	2510	2510	2510	2510
18	Turning radius(outside)	mm	2950	2950	2950	2950	2950	2950	2950	2950	2950	3010	3010	3010	3010
19	Min.right angle stacking aisle width (Add load length and clearance)	mm	20	20	20	20	20	20	20	20	20	20	20	20	20
20	Speed	Km/h	40	40	40	40	40	40	40	40	40	40	40	40	40
21	Lifting (Full load)	mm/sec	400	400	400	400	400	400	400	400	400	400	400	400	400
22	Lowering (Full load)	mm/sec	400	400	400	400	400	400	400	400	400	400	400	400	400
23	Max.Drawbar Pull (Full load)	N	21000	21000	21000	21000	21000	21000	21000	21000	21000	21500	21500	21500	21500
24	Max.Gradeability (Full load)	%	20	20	20	20	20	20	20	20	20	20	20	20	20
25	Tyres	mm	28×9-15-12PR	28×9-15-12PR	28×9-15-12PR	28×9-15-12PR	28×9-15-12PR	28×9-15-12PR	28×9-15-12PR	28×9-15-12PR	28×9-15-12PR	28×9-15-12PR	28×9-15-12PR	28×9-15-12PR	28×9-15-12PR
26	Tread	mm	6.50-10-10PR	6.50-10-10PR	6.50-10-10PR	6.50-10-10PR	6.50-10-10PR	6.50-10-10PR	6.50-10-10PR	6.50-10-10PR	6.50-10-10PR	6.50-10-10PR	6.50-10-10PR	6.50-10-10PR	6.50-10-10PR
27	Wheelbase	mm	980	980	980	980	980	980	980	980	980	980	980	980	980
28	Ground clearance	mm	1700	1700	1700	1700	1700	1700	1700	1700	1700	1760	1760	1760	1760
29	Self weight	kg	140	140	140	140	140	140	140	140	140	140	140	140	140
30	Weight Distribution	kg	175	175	175	175	175	175	175	175	175	175	175	175	175
31	Front load	kg	4450	4450	4450	4450	4450	4450	4450	4450	4450	4700	4700	4700	4700
32	Rear load	kg	6488	6488	6488	6488	6488	6488	6488	6488	6488	7134	7134	7134	7134
33	Front	kg	962	962	962	962	962	962	962	962	962	1066	1066	1066	1066
34	Rear	kg	1810	1810	1810	1810	1810	1810	1810	1810	1810	1927	1927	1927	1927
35	Rated torque	N.m	2640	2640	2640	2640	2640	2640	2640	2640	2640	2773	2773	2773	2773
36	Rated torque	V/AH	12/60	12/60	12/60	12/60	12/60	12/60	12/60	12/60	12/60	12/60	12/60	12/60	12/60
37	Rated torque	Model	S4S-DPEU2	C490BP-G-25	A498BT-39	C240	TD27	GK25	GK25	S4S-DPEU2	A498BT-39	TD27	TD27	GK25	4JG2
38	Rated torque	Manufacture	Mitsubishi	XIN CHAI	XIN CHAI	ISUZU	GCT	GCT	GCT	Mitsubishi	XIN CHAI	GCT	GCT	GCT	ISUZU
39	Rated torque	Rated output/r.p.m	35.3/2250	36.8/2400	36.8/2400	34.5/2500	38.5/2300	37.4/2300	37.4/2300	35.3/2250	36.8/2400	38.5/2300	38.5/2300	37.4/2300	44.9/2450
40	Rated torque	Rated torque/r.p.m	177/1700	156/1700-1900	186/1600-1800	139/1800	160/2300	176.5/1600	160/2300	177/1700	186/1600-1800	160/2300	160/2300	176.5/1600	184.7/1700
41	Rated torque	No.of cylinder	4	4	4	4	4	4	4	4	4	4	4	4	4
42	Rated torque	Bore×Stroke	94×120	90×105	86×102	86×102	96/92	89×100	96/92	94×120	95×105	96/92	96/92	89×100	95×107
43	Rated torque	Displacement	3331	2670	2369	2369	3331	2488	2488	3331	2980	2663	2663	2488	3059
44	Rated torque	Fuel tank capacity	L	70	60	70	60	70	70	75	70	60	60	75	75
45	Rated torque	Manufacture	OEM	OEM	OEM	OEM	OEM	OEM	OEM	OEM	OEM	OEM	OEM	OEM	OEM
46	Rated torque	Type	Powershift	Powershift	Powershift	Powershift	Powershift	Powershift	Powershift	Powershift	Powershift	Powershift	Powershift	Powershift	Powershift
47	Rated torque	Stage	1/1	1/1	1/1	1/1	1/1	1/1	1/1	1/1	1/1	1/1	1/1	1/1	1/1
48	Rated torque	Operating pressure	Mpa	17.5	17.5	17.5	17.5	17.5	17.5	17.5	17.5	17.5	17.5	17.5	17.5

1.Special lifting height available (2-stage mast :2.5m,2.7m,3.0m,3.3m,3.6m,3.7m,4m,4.3m,4.5m,5m. Full Free Duplex Mast 3.0m,3.3m,3.5m,3.6m. 3-stage mast : 4.3m,4.5m,4.8m,5m,5.5m,6m)
 2.Attachment available. 3.The specification in the table are for standard models only,For further information please contact us. 4.Specification are subject to change without notice.

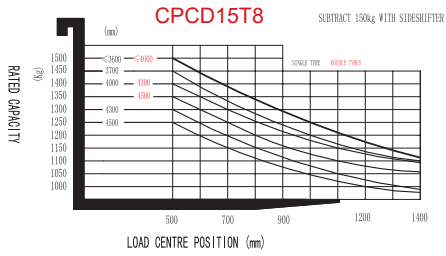
CPCD20/25/30/35T8

T8 series 2.0-3.5t forklift specification (Meets Euro Stage V Legislation)

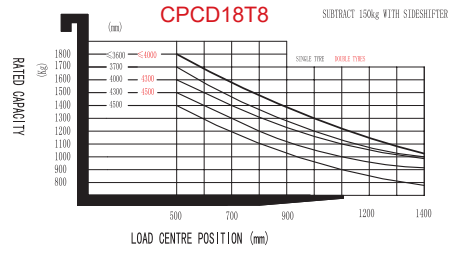
		EP			
		CPCD20T8	CPCD25T8	CPCD30T8	CPCD35T8
General	1 Manufacture				
	2 Model				
	3 Power type		Diesel	Diesel	Diesel
	4 Rated capacity		2000	3000	3500
Characteristics & Dimensions	5 Load center		500	500	500
	6 Lift height		3000	3000	3000
	7 Free lift height		120	120	120
	8 Fork size	L×W×T	1070×120×40	1070×125×45	1070×125×50
	9 Mast tilt range	F/R	6/12	6/12	6/12
	10 Fork overhang(wheel center to fork face)		476	476	486
	11 Rear overhang		485	550	590
Performance	12 Length to face of fork		2610	2660	2822
	13 Overall width		1150	1150	1200
	14 Mast lowered height		2050	2050	2070
	15 Mast extended height		4200	4200	4210
	16 Overhead guard height		2130	2130	2180
	17 Turning radius(outside)		2170	2230	2450
	18 Min.right angle stacking aisle width (Add load length and clearance)		2680	2740	2950
Chassis	19 Travel (No load)		20	20	20
	20 Speed		450	450	400
	21 Lowering (Full load)		450	450	400
	22 Max. Drawbar Pull (Full load)		14300	14800	21000
	23 Max. Gradeability (Full load)		20	20	20
	24 Tyres		7.00-12-12PR	7.00-12-12PR	28×9-15-12PR
	25 Tread		6.00-9-10PR	6.00-9-10PR	6.50-10-10PR
Weight	26 Wheelbase		970	970	1010
	27 Ground clearance		1600	1600	1700
	28 Wheelbase center		145	145	175
	29 Self weight		3580	3920	4450
	30 Full load		4856	5588	6488
	31 Weight Distribution		724	832	962
Power & transmission	32 No load		1428	1560	1810
	33 Voltage/Capacity(20HR)		2142	2360	2640
	34 Model		3E2Y/G51	XIN CHAI	XIN CHAI
	35 Rated output/r.p.m		44.8/2400	210/1600-1800	3
	36 No. of cylinder		94X107	2226	70
	37 Bore×Stroke		60	60	75
	38 Displacement		60	60	75
Fuel tank capacity	39 Fuel tank capacity		17.5	17.5	17.5
	40 Manufacture		OEM	OEM	OEM
	41 Type		Powershift	Powershift	Powershift
	42 Stage		1/1	1/1	1/1
Operating pressure	43 For attachments		17.5	17.5	17.5
	44 Mpa		17.5	17.5	17.5

1. Special lifting height available (2-stage mast :2.5m,2.7m,3.0m,3.3m,3.5m,3.6m,3.7m,4.0m,4.3m,4.5m,5m. Full Free Duplex Mast 3.0m,3.3m,3.5m,3.6m, 3-stage mast : 4.3m,4.5m,4.8m,5m,5.5m,6m)
 2.Attachment available. 3. The specification in the table are for standard models only,For further information please contact us. 4.Specification are subject to change without notice.

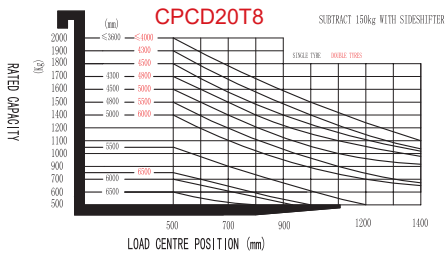
RATED CAPACITIES AND LOAD CENTERS GRAPH



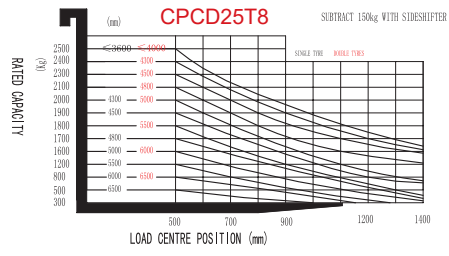
RATED CAPACITIES AND LOAD CENTERS GRAPH



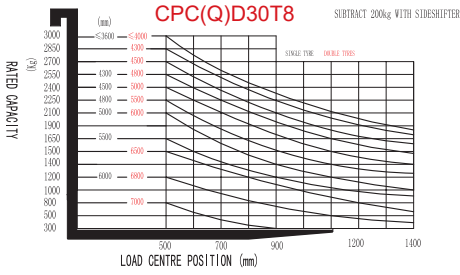
RATED CAPACITIES AND LOAD CENTERS GRAPH



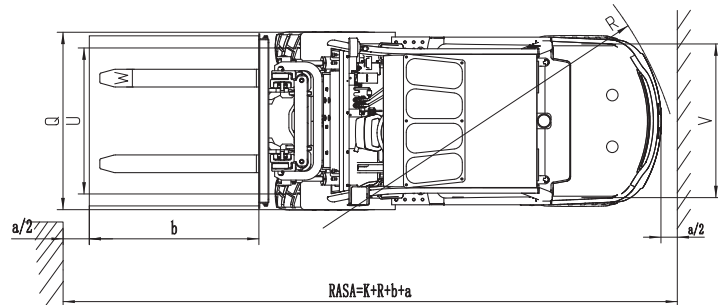
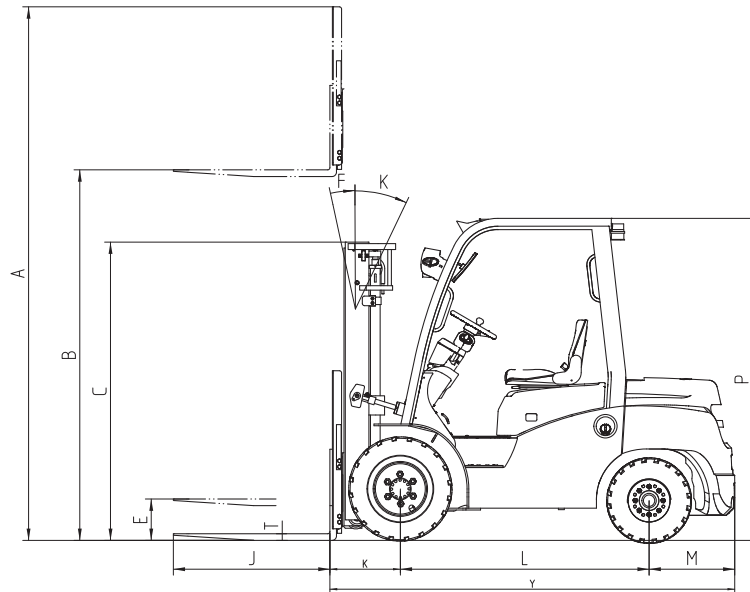
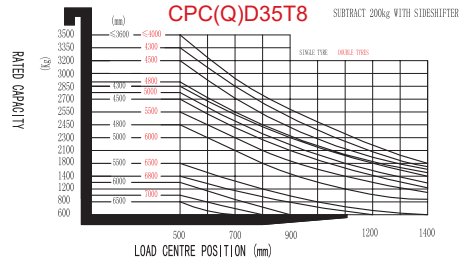
RATED CAPACITIES AND LOAD CENTERS GRAPH



RATED CAPACITIES AND LOAD CENTERS GRAPH



RATED CAPACITIES AND LOAD CENTERS GRAPH



Option

Options	15/18T8	20/25T8	30T8	35T8
1 Fork length	○	○	○	○
2 Fork extension	○	○	○	○
3 Folded fork	○	○	○	○
4 Imported diesel engine	○	○	○	○
5 Import Gasoline Engine	○	○	○	○
6 LPG system	○	○	○	○
7 High exhaust	○	○	○	○
8 Dual air clearners or special air cleaner	○	○	○	○
9 Solid rubber tire	○	○	○	○
10 No marking solid tire	○	○	○	○
11 Overhead guard	●	●	●	●
12 Mast options	○	○	○	○
13 Attachments	○	○	○	○
14 Integrated side shift	○	○	○	○
15 Cockpit	●	●	●	●
16 heater	○	○	○	○
17 Front windshield with wiper	○	○	○	○
18 Rear windshield with wiper	○	○	○	○
19 Fan	○	○	○	○
20 Full steel cabin room	○	○	○	○
21 LED front light	●	●	●	●
22 Rear working LED light	○	○	○	○
23 Fire extinguisher	○	○	○	○
24 Suspension seat	○	○	○	○
25 Seat switch	●	●	●	●
26 Warning light	●	●	●	●
27 Insulation mat	○	○	○	○
28 Double front tyre	○	○	○	○
29 OPS system	○	○	○	○

Note: ● standard ○ option — NA

