

**MAX-8**

V2104.01



**EP**  
*Let's grow together*

# MAX-8

Excellent Performances & Reliability

## CPD15/18/20TV8

### Three-wheel Electric Forklift

### 1.5/1.8/2.0t

International Quality Components,  
Premium Configuration, Super Performance

**EP EQUIPMENT CO.,LTD**

[www.ep-ep.com](http://www.ep-ep.com)

**CE**

# Three-wheel electric forklift 1.5/1.8/2.0t CPD15/18/20TV8

Distinguishing mark						
1.1	Manufacturer			EP	EP	EP
1.2	Model designation			CPD15TV8	CPD18TV8	CPD20TV8
1.3	Drive unit			Electrics	Electrics	Electrics
1.4	Operator type			seated	seated	seated
1.5	rated capacity	Q	kg	1500	1800	2000
1.6	Load center distance	c	mm	500	500	500
1.8	Load distance, centre of drive axle to fork	x	mm	400	400	400
1.9	Wheelbase	y	mm	1258	1358	1358
Weight						
2.1	Service weight (include battery)		kg	3050	3160	3430
2.2	Axle loading, laden driving wheels /steering wheels		kg	4215/335	4640/320	5050/380
2.3	Axle loading, unladen driving wheels /steering wheels		kg	1570/1480	1620/1540	1750/1680
Types,Chassis						
3.1	Tyre type,driving wheels /steering wheels			solid rubber	solid rubber	solid rubber
3.2	Tyre size, driving wheels (diameter×width)			18X7-8	18X7-8	200X50-10
3.3	Tyre size, steering wheels (diameter×width)			15X4.5-8	15X4.5-8	15X4.5-8
3.5	Wheels, number driving/steering (x=drive wheels)		mm	2x/ 2	2x/ 2	2x/ 2
3.6	Tread, Driving wheels	b <sub>10</sub>	mm	902	902	936
3.7	Tread, Steering wheels	b <sub>11</sub>	mm	175	175	175
Dimensions						
4.1	Tilt of mast/fork carriage forward/backward	α/ β (°)		6/6	6/6	6/6
4.2	Height, mast lowered	h <sub>1</sub>	mm	1990	1990	1990
4.3	Free lift (load backrest)	h <sub>2</sub>	mm	120	120	120
4.4	Lift height	h <sub>3</sub>	mm	3000	3000	3000
4.5	Height, mast extended	h <sub>4</sub>	mm	4058	4058	4058
4.7	Height of overhead guard (cabin)	h <sub>6</sub>	mm	2060	2060	2060
4.8	Seat height	h <sub>7</sub>	mm	1000	1000	1000
4.12	Tow center of pin height	h <sub>10</sub>	mm	475	475	475
4.19	Overall length	l <sub>1</sub>	mm	2765	2865	2895
4.20	Length to face of forks	l <sub>2</sub>	mm	1845	1945	1975
4.21	Overall width	b <sub>1</sub> / b <sub>2</sub>	mm	1090	1090	1150
4.22	Fork dimensions	s/ e/ l	mm	40×100×920	40×100×920	40×100×920
4.23	Fork carriage class/type A, B			A	A	A
4.24	Fork carriage width	b <sub>3</sub>	mm	1040	1040	1040
4.31	Ground clearance, laden, below mast	m <sub>1</sub>	mm	108	108	108
4.32	The minimum ground clearance of frame	m <sub>2</sub>	mm	78	78	78
4.34.1	Aisle width for pallets 1000 × 1200 crossways	Ast	mm	3195	3295	3325
4.34.2	Aisle width for pallets 800 × 1200 lengthways	Ast	mm	3320	3420	3450
4.35	Turning radius	Wa	mm	1475	1575	1605
Performance data						
5.1	Travel speed, laden/ unladen		km/ h	13/ 14	13/ 14	13/ 14
5.2	Lifting speed, laden/ unladen		m/ s	0.29/ 0.43	0.27/ 0.43	0.26/ 0.43
5.3	Lowering speed, laden/ unladen		m/ s	0.44/ 0.435	0.44/ 0.435	0.44/ 0.435
5.5	Drawbar pull, laden/unladen		N	/	/	/
5.6	Max. drawbar pull, laden/unladen (time)		N	/	/	/
5.7	Gradeability, laden/unladen		%	10.5/ 14.5	10.5/ 14.5	10.5/ 14.5
5.8	Max. gradeability, laden/unladen		%	/	/	/
5.10	Service brake type			Mechanical/ hydraulic	Mechanical/ hydraulic	Mechanical/ hydraulic
	park brake type			Mechanical/ hydraulic	Mechanical/ hydraulic	Mechanical/ hydraulic
Electric-engine						
6.1	Drive motor rating S2 60 min		kW	4.8x2	4.8x2	4.8x2
6.2	Lift motor rating at S3 15%		kW	11	11	11
6.3	The maximum allowed size battery		mm	/	/	/
6.4	Battery voltage/nominal capacity K5		V/ Ah	48/400	48/500	48/600
6.5	Battery weight		kg	708	856	933
Addition data						
8.1	Type of drive unit			AC	AC	AC
10.5	Steering type			Mechanical/ hydraulic	Mechanical/ hydraulic	Mechanical/ hydraulic
10.7	Sound pressure level at the driver's ear		dB (A)	68	70	74

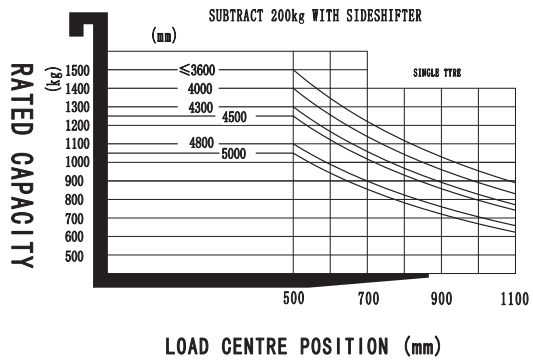
If there are improvements of technical parameters or configurations, no further notice will be given.  
The diagram shown may contain non-standard configurations.

## Mast Option

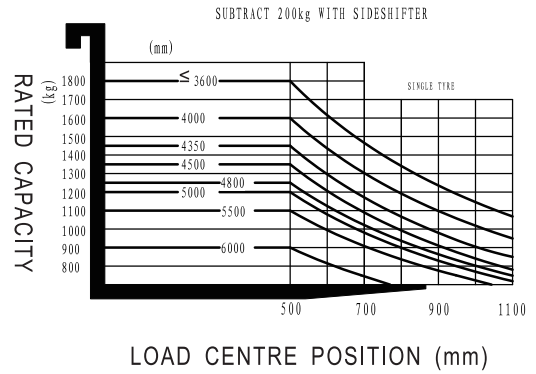
Type	Model	Max. fork height h3 mm	Overall height			Free lift		Front Overhang X			Tilt range		Capacity		
			Lowered h1 mm	Extended		Without backrest mm	With backrest h2 mm	1.5t mm	1.8t mm	2.0t mm	FWD α Deg	BWD β Deg	Load capacity at 500 mm		
				Without backrest mm	With backrest mm								1.5t kg	1.8t kg	2.0t kg
Duplex ZT	2W200	2000	1490	2515	3058	120	120	400	400	400	6	6	1500	1800	2000
	2W250	2500	1740	3015	3558	120	120	400	400	400	6	6	1500	1800	2000
	2W270	2700	1840	3215	3758	120	120	400	400	400	6	6	1500	1800	2000
	2W300	3000	1990	3515	4058	120	120	400	400	400	6	6	1500	1800	2000
	2W330	3300	2140	3815	4358	120	120	400	400	400	6	6	1500	1800	2000
	2W350	3500	2240	4015	4558	120	120	400	400	400	6	6	1500	1800	2000
	2W360	3600	2290	4115	4658	120	120	400	400	400	6	6	1500	1800	2000
	2W400	4000	2540	4515	5058	120	120	400	400	400	3	5	1400	1600	1800
	2W425	4250	2665	4765	5308	120	120	400	400	400	3	5	1300	1500	1700
	2W450	4500	2790	5015	5558	120	120	400	400	400	3	5	1250	1400	1600
Duplex Z	2F250	2500	1773	3015	3558	1258	715	400	400	400	6	6	1500	1800	2000
	2F270	2700	1873	3215	3758	1358	815	400	400	400	6	6	1500	1800	2000
	2F300	3000	2023	3515	4058	1508	965	400	400	400	6	6	1500	1800	2000
	2F330	3300	2173	3815	4358	1658	1115	400	400	400	6	6	1500	1800	2000
	2F360	3600	2323	4115	4658	1808	1265	400	400	400	6	6	1500	1800	2000
	2F400	4000	2523	4515	5058	2008	1465	400	400	400	3	5	1400	1700	1900
Triplex DZ	3F435	4350	1993	4865	5408	1449	935	400	400	400	3	5	1250	1450	1600
	3F450	4500	2043	5015	5558	1499	985	400	400	400	3	5	1200	1350	1500
	3F480	4800	2143	5315	5858	1599	1085	400	400	400	3	5	1100	1250	1400
	3F500	5000	2208	5515	6058	1664	1150	400	400	400	3	5	1050	1200	1350
	3F550	5500	2378	6015	6558	1834	1320	400	400	400	3	5	/	1100	1250
	3F600	6000	2593	6515	7058	2049	1535	400	400	400	3	5	/	900	1150

Note: With sideshifter minus 200Kg, with integral sideshifter minus 100Kg.

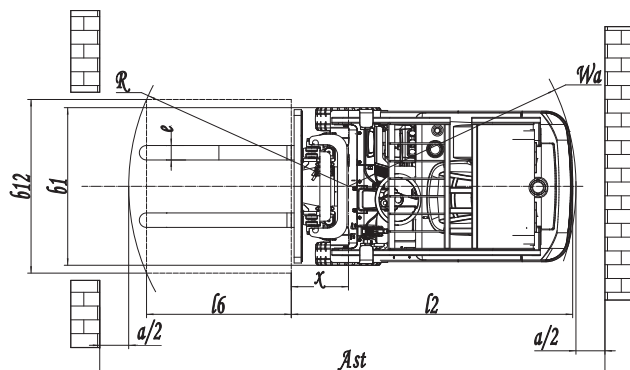
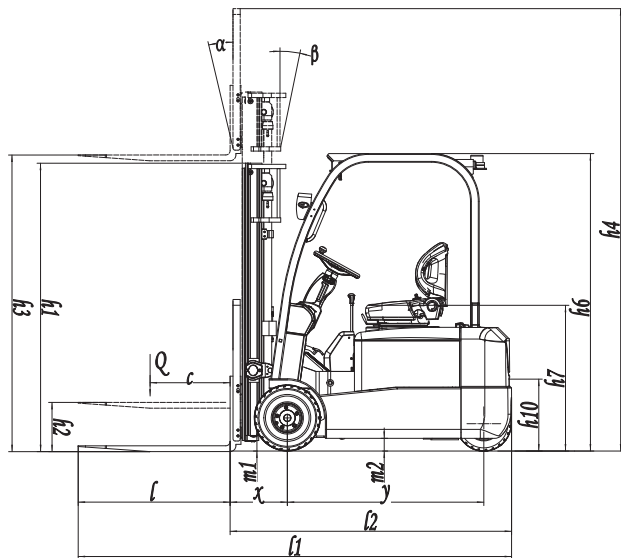
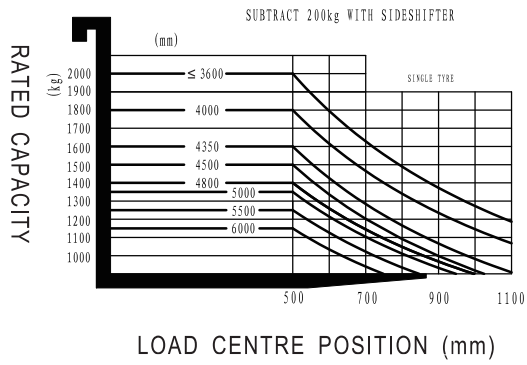
CPD15TV8 RATED CAPACITIES GRAPH



CPD18TV8 RATED CAPACITIES GRAPH



CPD20TV8 RATED CAPACITIES GRAPH



## Option

Optional items		CPD15/18/20TV8
3	Fork length	○
6	Folding fork	○
7	Weighting system with fork	—
12	Solid rubber tire	●
13	Environmental solid tire	○
15	cold storage	○
19	Battery capacity	○
20	Lateral change battery	13/15None
21	Import battery	○
22	Water auto-filling system	○
30	Side shift	○
37	Overhead guard	○
39	Mast options	○
40	Attachments	○
41	Proportional valve	○
42	Front light	●
43	Back light	○
46	Warning light	●
48	Fire extinguisher	○
49	Seat	○
50	Seat switch	●
51	With fan heater	○
52	With front windshield wiper	○
53	With rear windshield wiper	○
54	Cockpit	○
55	Doulbe front wheel	—
56	Rearview	○
57	OPS system	○
58	Backrest width	○
59	Side to pull the car	○
60	Air fan	—
61	Charging voltage	○
62	Drive-in Rack	○

Note: ● standard ○ option — NA